

SERVICE INFORMATION LETTER

Subject: Incorrect Part marking of Wencor ATS Seal Assembly

1. Planning

a. Effectivity

Wencor P/N	NHA P/N	NHA Description	ATA	Engine Application
3231392-1WE	3505448-X 3505010-X 384022-X	Air Turbine Starter (ATS)	80-11-02 80-11-41 80-10-55 80-11-11 80-13-11	RB211-524 RB211-22 CF6-80A CF6-80C2A CF6-80C2B CF6-80C2D CF6-45 CF6-50

b. Reason:

A single manufacturing lot of the Wencor Seal Assembly PN 3231392-1WE was manufactured with the directional ribs configured to match PN 3231392-5WE, but was marked incorrectly as PN 3231392-1WE. The -1WE and the -5WE are identical except for the rib configuration as shown in Figure 1.

Sales to customers from this specific manufacturing lot occurred between December 2011 and May 2012. As of the date of this SIL, all of the affected Seal Assemblies have been removed from service except 15 parts. All customers that have misidentified Seal Assemblies have been previously notified and are included in the distribution of this SIL.

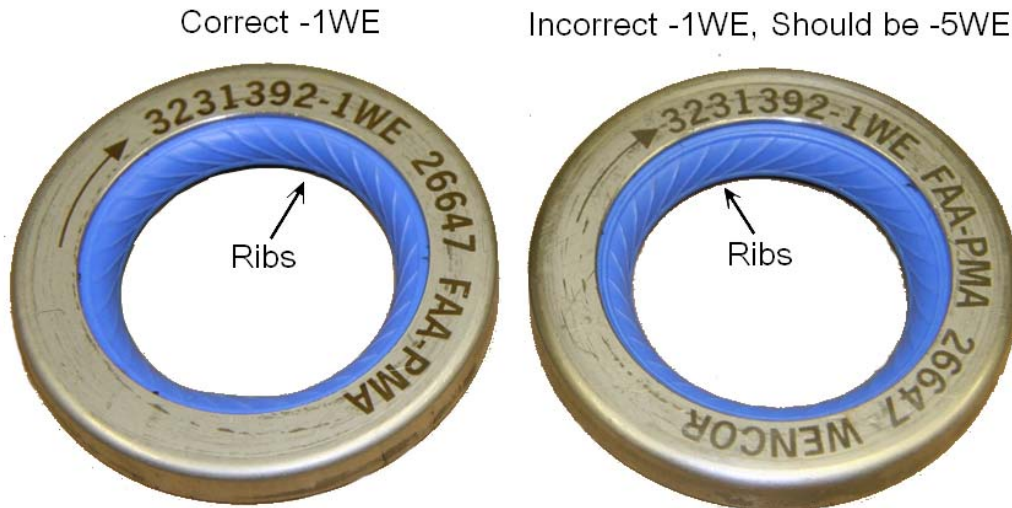


Figure 1, Rib Configuration

c. Background

The Seal Assembly is designed to prevent oil leakage from the output shaft chamber of the Air Turbine Starter (ATS). The directional ribs are a product improvement designed to redirect oil back into the ATS as the output shaft rotates. It is possible that oil leakage might occur if the Seal Assembly with the incorrect rib configuration is installed. Signs of oil leakage can be observed by oil leaking from the output chamber. See example of installed Seal Assembly in Figure 2.

d. Safety

Oil leakage due to the misidentified Wencor Seal Assembly may cause accelerated wear of the ATS. This condition does not affect aircraft safety.



1625 North 1100 West
Springville, UT 84663
801-489-2000

2. Recommended Action

a. Line Maintenance

For ATS installed with the Wencor Seal Assembly after December 2011, visually inspect the ATS for signs of excessive oil leakage from the output chamber in accordance with the approved aircraft maintenance program that exceed the limits defined in the ATS CMM. If excessive leakage is found, remove and replace the ATS per the instructions in the AMM. Record accomplishment of the removal of the ATS as instructed per this SIL in the aircraft overhaul log book.

b. ATS Repair and Overhaul

For ATS serviced after December 2011 verify that the correct Seal Assembly rib configuration is installed (see Figure 1). If not, remove and replace the Seal Assembly with the correct one per the instructions in the ATS CMM. Return the misidentified Seal Assembly to Wencor. Record accomplishment of this SIL in the ATS overhaul log book.

3. Compliance

At next scheduled aircraft maintenance event where the ATS output chamber is visible or when the ATS requires overhaul, see recommended action steps.

4. Material

Wencor Seal Assemblies that require replacement as a result of this Service Information Letter will be covered free of charge under the Wencor material warrantee. If there are any questions regarding this Service Information Letter, please contact the applicable Wencor sales representative by calling 801-489-2000 or email: sales@wencor.com. For technical questions please contact Jon Bies at jbies@wencor.com.

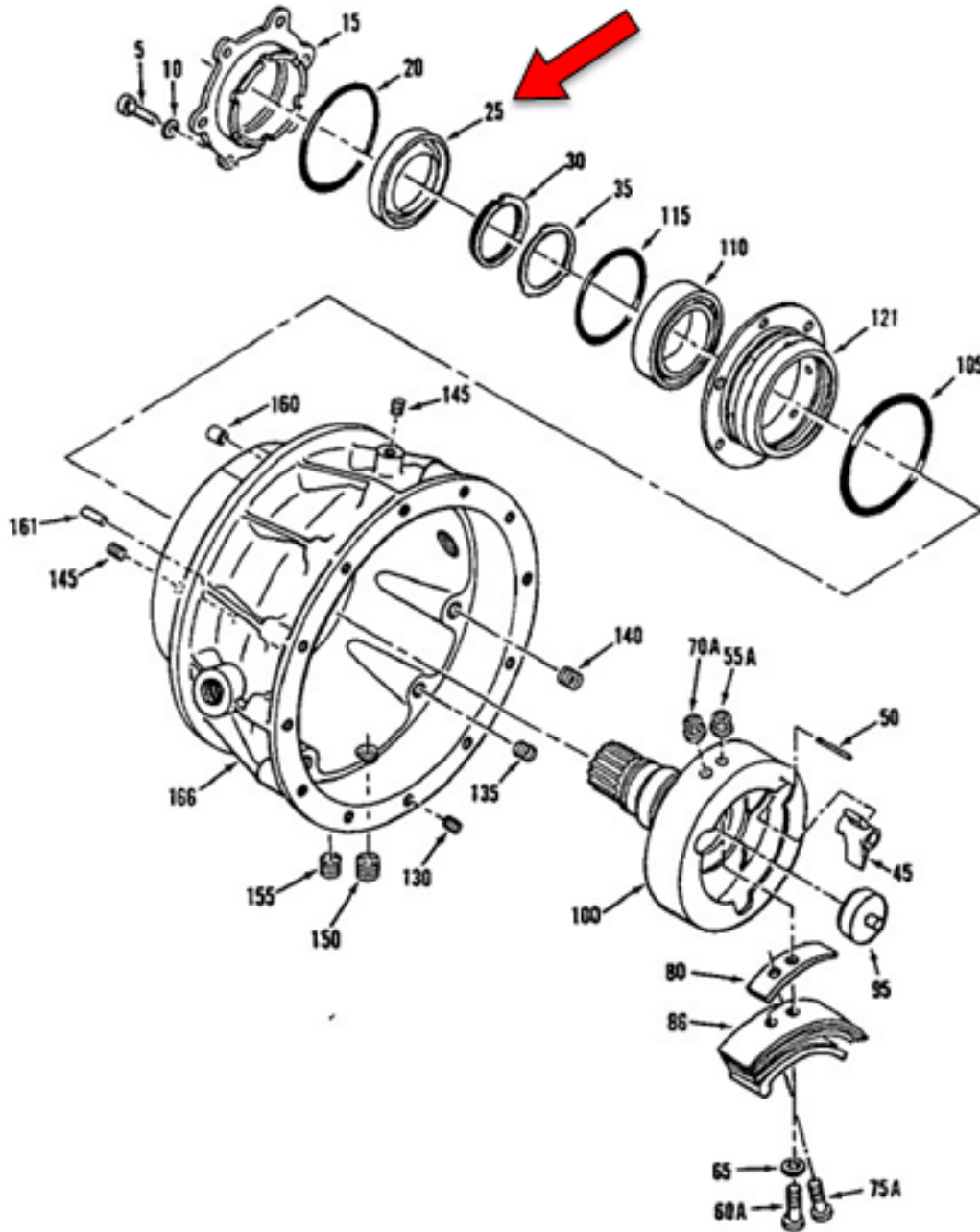


Figure 2, Installed Seal Assembly