

# SERVICE INFORMATION LETTER

SIL # 170901-345943WE

**SUBJECT:** The Wencor Packing PN 345943WE was incorrectly manufactured with extra chamfers on the inner diameter corners as shown in Figure 1 below.

## REVISION HISTORY TABLE

Revision	Change Description	Release Date
A	Original Release	09/05/2017

# SERVICE INFORMATION LETTER

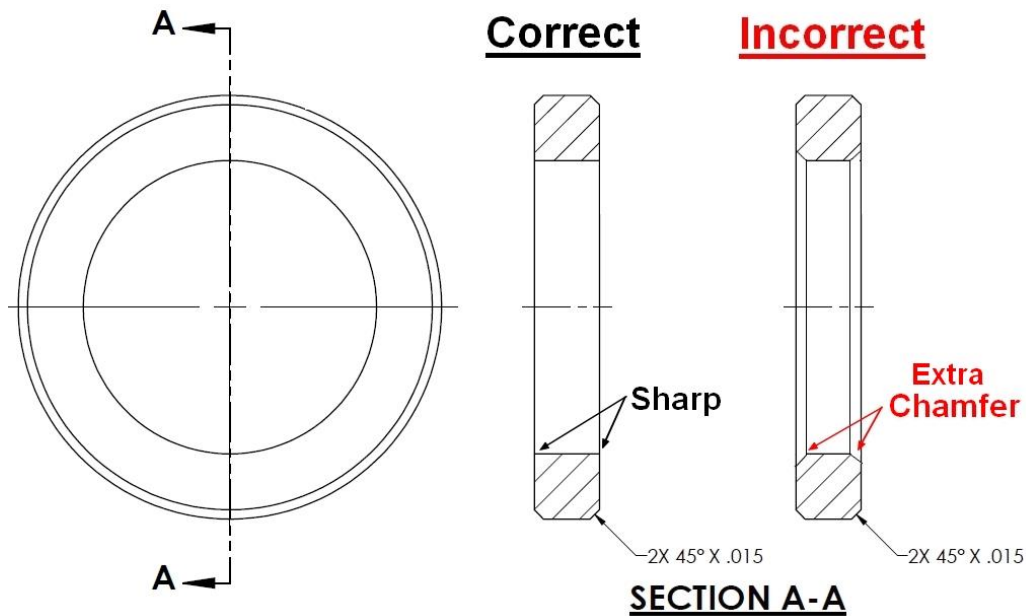
## 1. Planning

### a. Effectivity

Wencor P/N	NHA P/N	NHA Description	ATA	Aircraft Application
345943WE Packing, Preformed	31073 Series	Aileron Servocontrol	27-14-51	Airbus A318 series A319 series A320 series A321 series A330-200 series A330-200 series A340-600 series A380-841 A380-842

### b. Reason:

Some Packing's were incorrectly manufactured with extra chamfers on the inner diameter corners as shown below.



**Figure 1, View Showing Extra Chamfer on Packing**

## SERVICE INFORMATION LETTER

### c. Background

The Packing's are installed at various static interface locations between the aileron actuator housing and attached components as shown in Figure 2 below. The packings are not used in high pressure hydraulic fluid lines, but serve only as a barrier from external elements such as dust, water and external leaking hydraulic fluid.

Wencor has sold over 4,000 Packing's total, with nearly 2,000 suspected as having the extra chamfer, with no customer complaints for any reason, therefore this condition does not appear to have any appreciable effect in service.

### d. Safety

The condition described in this SIL does not affect aircraft safety.

## 2. Recommendations

Wencor Packing PN 345943WE sold to customers between March 2016 and July 2017 are affected by this SIL. Any Packing's from this time period that have the condition described above that have not been installed may be returned to Wencor at the discretion of the end user for replacement or credit.

Wencor Packing's PN 345943WE sold during this time period that have the condition described above that have been installed into the NHA unit and passed the required CMM testing may remain in service without any appreciable risk to normal unit operation.

## 3. Compliance

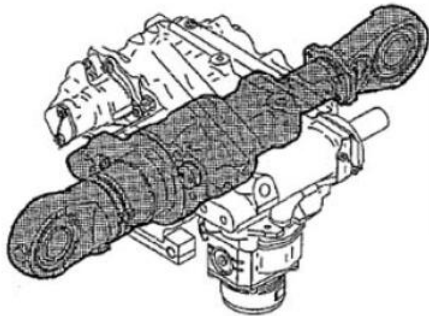
There is no compliance time associated to this SIL.

## 4. Material

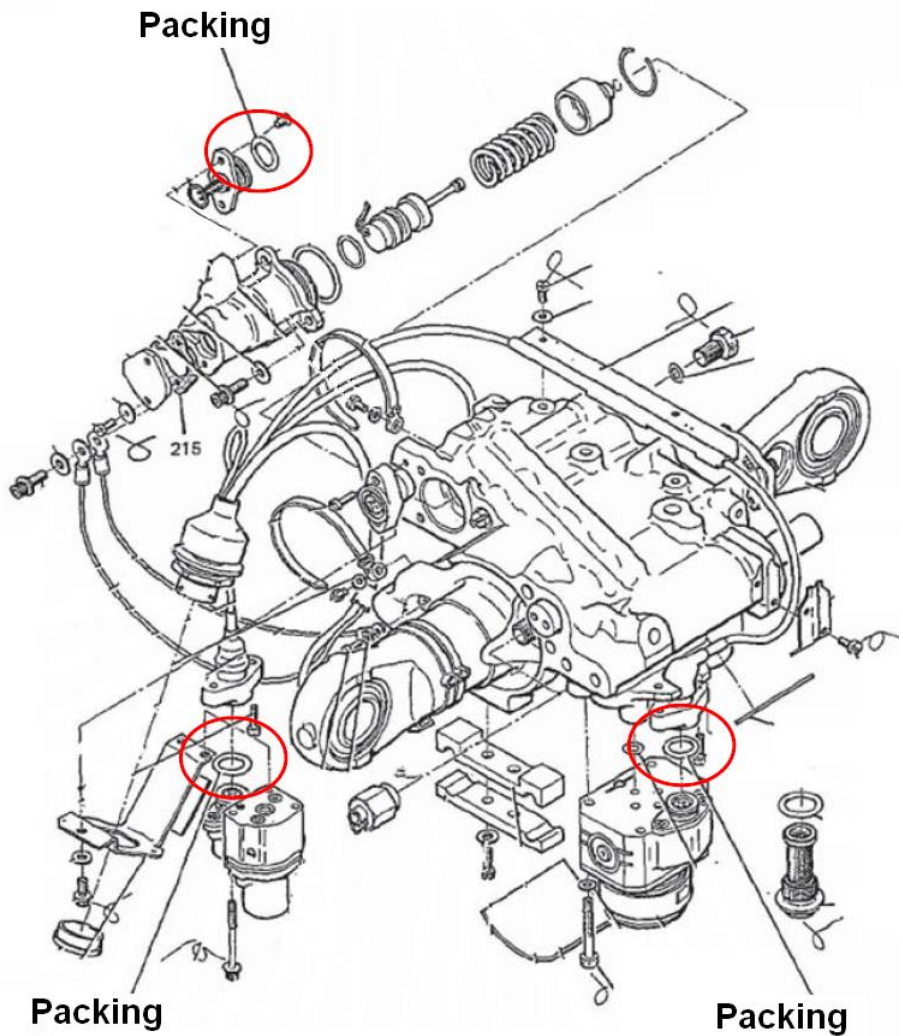
Wencor Packing's, PN 345943WE that require replacement as a result of this Service Information Letter will be covered free of charge under the Wencor material warranty.

If there are any questions regarding this Service Information Letter, please contact the applicable Wencor sales representative by calling 801-489-2000 or email: [sales@wencor.com](mailto:sales@wencor.com). For technical questions regarding this SIL please contact Jon Bies at [jbies@wencor.com](mailto:jbies@wencor.com).

# SERVICE INFORMATION LETTER



**Aileron Servocontrol**



**Figure 2, Packing Installed Locations into the NHA**